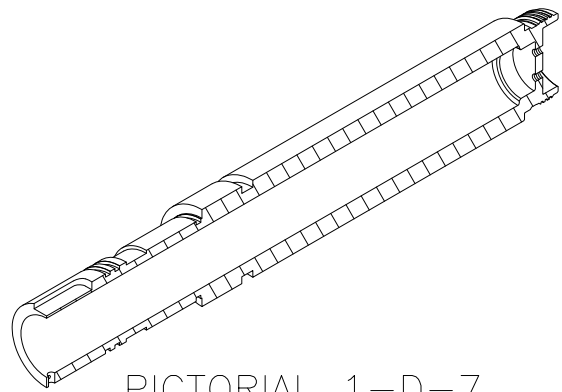


NOTES:

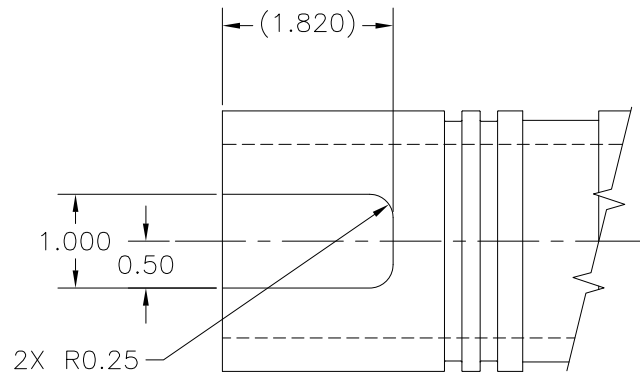
1. MATERIAL: BAR, 17-4PH/15-5PH S.S., $\phi 3.375 \times 20.570$ LG.
2. HEAT TREAT: COMMERCIAL HT.
3. SURFACE TREATMENT: NONE
4. WEIGHT: 25.93 LBS.

REVISIONS				
NO	DESCRIPTION	DATE	BY	APR/DATE
1	REFORMAT	8/17/10		
2	OBSOLETE - APPLIES TO ERS V.1 ONLY	2/21/11		



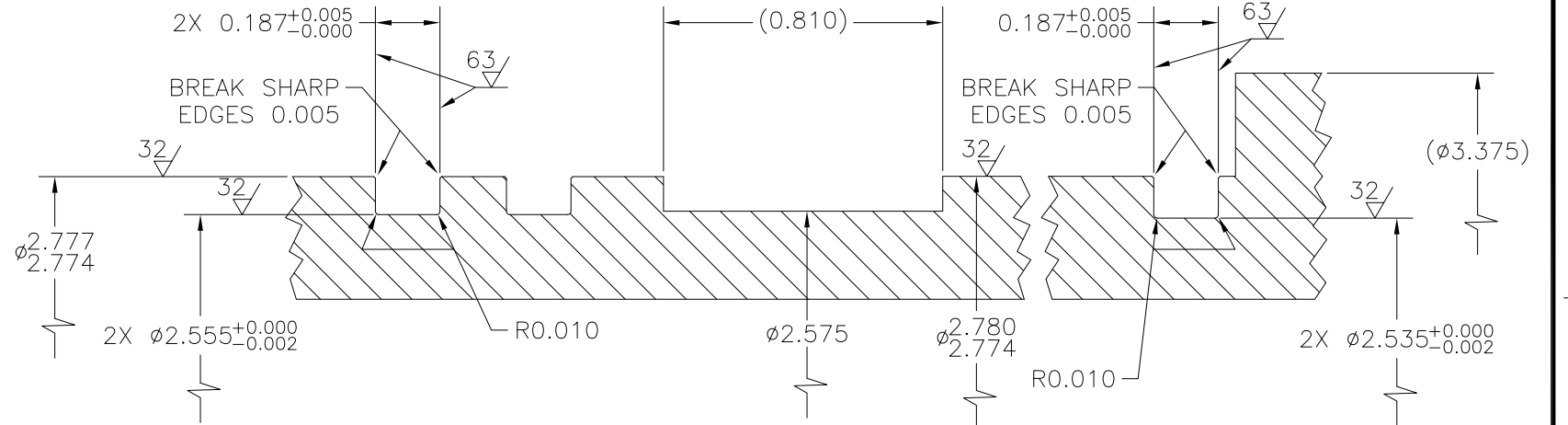
PICTORIAL 1-D-7

X/O & PRESSURE CASE
ERS TO 31 PIN CONNECTOR
N.T.S.



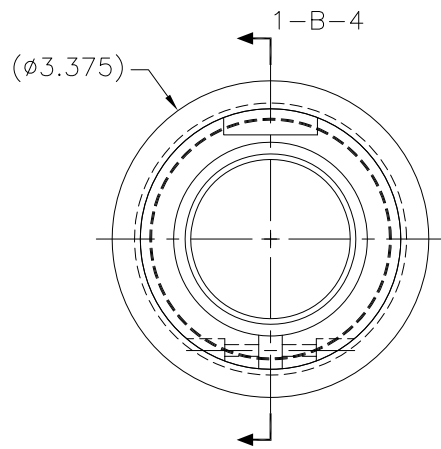
TOP VIEW 1-D-6

REF. 1-B-6



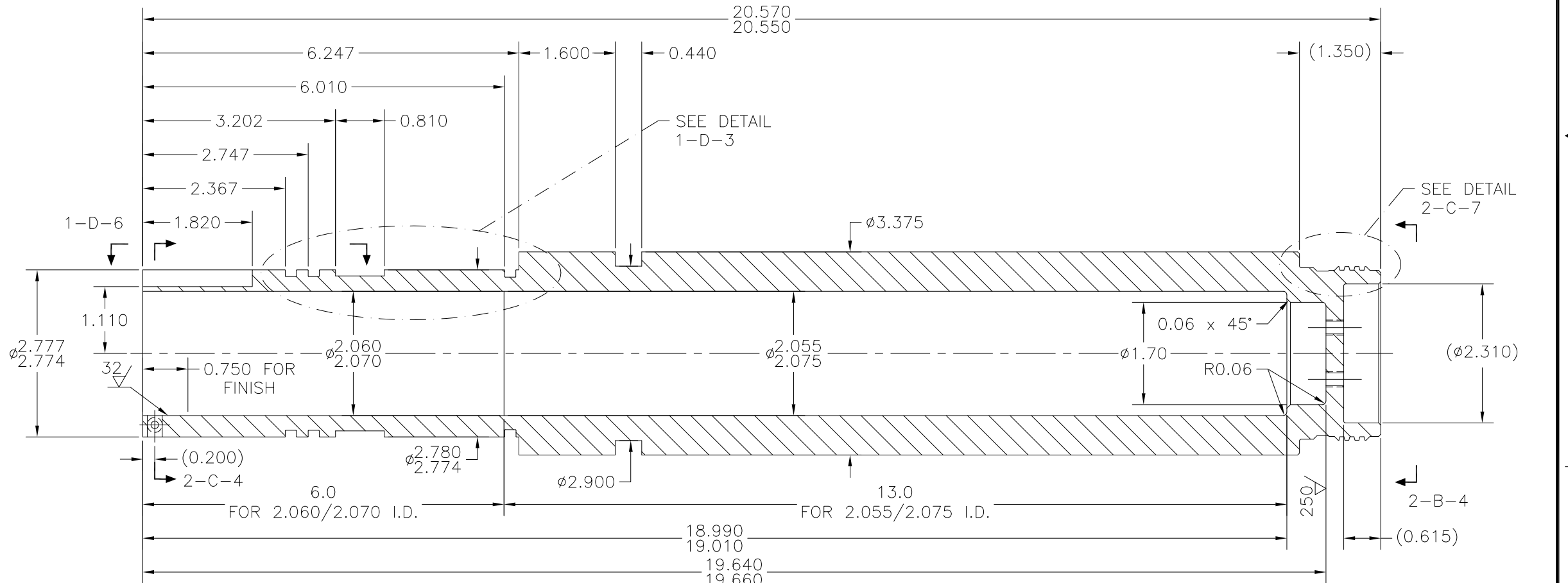
DETAIL 1-D-3

REF. 1-C-4



END VIEW 1-B-7

X/O & PRESSURE CASE
ERS TO 31 PIN CONNECTOR



SECTION 1-B-4

REF. 1-B-7

<p>TOLERANCES: UNLESS OTHERWISE SPECIFIED 0.X ± 0.030 0.XX ± 0.010 0.XXX ± 0.005 ANGLES ± 1/2° BREAK EDGES 0.015 x 45° MIN. FINISH 125/ [Symbol] 0.010[A] ALL DIMS ARE IN INCHES, UNLESS NOTED OTHERWISE.</p>	<p>PROPRIETARY NOTICE THIS DRAWING AND THE INFORMATION IT CONTAINS ARE CONSIDERED CONFIDENTIAL, AND MAY NOT BE REPRODUCED, COPIED OR USED, IN PART OR IN WHOLE, WITHOUT PRIOR WRITTEN CONSENT.</p>	<p>Integrated Ocean Drilling Program TEXAS A&M UNIVERSITY 1000 DISCOVERY DRIVE COLLEGE STATION, TX 77845</p>				
		<p>SHEET 1 OF 2</p>	<p>TITLE X/O & PRESSURE CASE, ERS TO 31 PIN CONNECTOR</p>	<p>SCALE FULL</p>	<p>SYSTEM ASSEMBLY</p>	<p>ASSEMBLY 3" ERS</p>
<p>BY KM</p>	<p>DATE 07/20/10</p>	<p>APPROVED TP</p>	<p>CHECKED JCS</p>	<p>SIZE D</p>	<p>P/N ERS-022</p>	<p>REV. 2</p>